



AiP74HC/HCT251

8-input Multiplexer; 3-state

Product Specification

Specification Revision History:

Version	Date	Description
2012-06-A1	2012-06	New
2023-04-B1	2023-04	Update the template



Contents

1、 General Description.....	3
2、 Block Diagram And Pin Description	6
2.1、 Block Diagram	6
2.2、 Pin Configurations.....	7
2.3、 Pin Description	7
2.4、 Function Table.....	8
3、 Electrical Parameter	8
3.1、 Absolute Maximum Ratings.....	8
3.2、 Recommended Operating Conditions	9
3.3、 Electrical Characteristics	9
3.3.1、 DC Characteristics 1	9
3.3.2、 DC Characteristics 2	10
3.3.3、 DC Characteristics 3	11
3.3.4、 AC Characteristics 1	12
3.3.5、 AC Characteristics 2	14
3.3.6、 AC Characteristics 3	15
4、 Testing Circuit	16
4.1、 AC Testing Circuit	16
4.2、 AC Testing Waveforms.....	16
4.3、 Measurement Points	17
4.4、 Test Data	17
5、 Package Information	18
5.1、 DIP16	18
5.2、 SOP16	19
5.3、 TSSOP16.....	20
6、 Statements And Notes	21
6.1、 The name and content of Hazardous substances or Elements in the product	21
6.2、 Notes	21



1、 General Description

The AiP74HC/HCT251 is an 8-bit multiplexer with eight binary inputs (I0 to I7), three select inputs (S0 to S2) and an output enable input (\overline{OE}). The select inputs select one of the eight binary inputs and route it to the complementary outputs (Y and \overline{Y}). A HIGH on \overline{OE} causes the outputs to assume a high-impedance OFF-state. Inputs include clamp diodes that enable the use of current limiting resistors to interface inputs to voltages in excess of V_{CC} .

Features:

- Input levels:
 - For AiP74HC251: CMOS level
 - For AiP74HCT251: TTL level
- Low-power dissipation
- Non-inverting data path
- Specified from -40°C to +125°C
- Packaging information: DIP16/SOP16/TSSOP16

**Ordering Information:****Tube packing specifications:**

Part number	Packaging form	Marking code	Tube quantity	Boxed tube quantity	Boxed quantity	Notes
AiP74HC251DA16.TB	DIP16	74HC251	25 PCS/tube	40 tube/box	1000 PCS/box	Dimensions of plastic enclosure: 19.0mm×6.4mm Pin spacing: 2.54mm
AiP74HCT251DA16.TB	DIP16	74HCT251	25 PCS/tube	40 tube/box	1000 PCS/box	Dimensions of plastic enclosure: 19.0mm×6.4mm Pin spacing: 2.54mm
AiP74HC251SA16.TB	SOP16	74HC251	50 PCS/tube	200 tube/box	10000 PCS/box	Dimensions of plastic enclosure: 10.0mm×3.9mm Pin spacing: 1.27mm
AiP74HCT251SA16.TB	SOP16	74HCT251	50 PCS/tube	200 tube/box	10000 PCS/box	Dimensions of plastic enclosure: 10.0mm×3.9mm Pin spacing: 1.27mm
AiP74HC251TA16.TB	TSSOP16	74HC251	96 PCS/tube	200 tube/box	19200 PCS/box	Dimensions of plastic enclosure: 5.0mm×4.4mm Pin spacing: 0.65mm
AiP74HCT251TA16.TB	TSSOP16	74HCT251	96 PCS/tube	200 tube/box	19200 PCS/box	Dimensions of plastic enclosure: 5.0mm×4.4mm Pin spacing: 0.65mm



Reel packing specifications:

Part number	Packaging form	Marking code	Reel quantity	Boxed reel quantity	Notes
AiP74HC251SA16.TR	SOP16	74HC251	4000 PCS/reel	8000 PCS/box	Dimensions of plastic enclosure: 10.0mm×3.9mm Pin spacing:1.27mm
AiP74HCT251SA16.TR	SOP16	74HCT251	4000 PCS/reel	8000 PCS/box	Dimensions of plastic enclosure: 10.0mm×3.9mm Pin spacing:1.27mm
AiP74HC251TA16.TR	TSSOP16	74HC251	5000 PCS/reel	10000 PCS/box	Dimensions of plastic enclosure: 5.0mm×4.4mm Pin spacing:0.65mm
AiP74HCT251TA16.TR	TSSOP16	74HCT251	5000 PCS/reel	10000 PCS/box	Dimensions of plastic enclosure: 5.0mm×4.4mm Pin spacing:0.65mm

Note: If the physical information is inconsistent with the ordering information, please refer to the actual product.



2、Block Diagram And Pin Description

2.1、Block Diagram

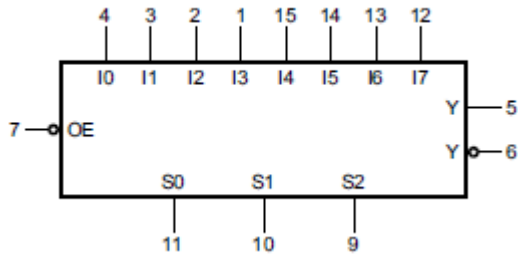


Figure 1. Logic symbol

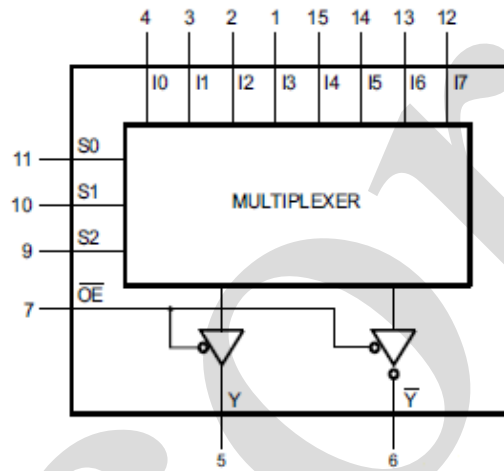


Figure 2. Functional diagram

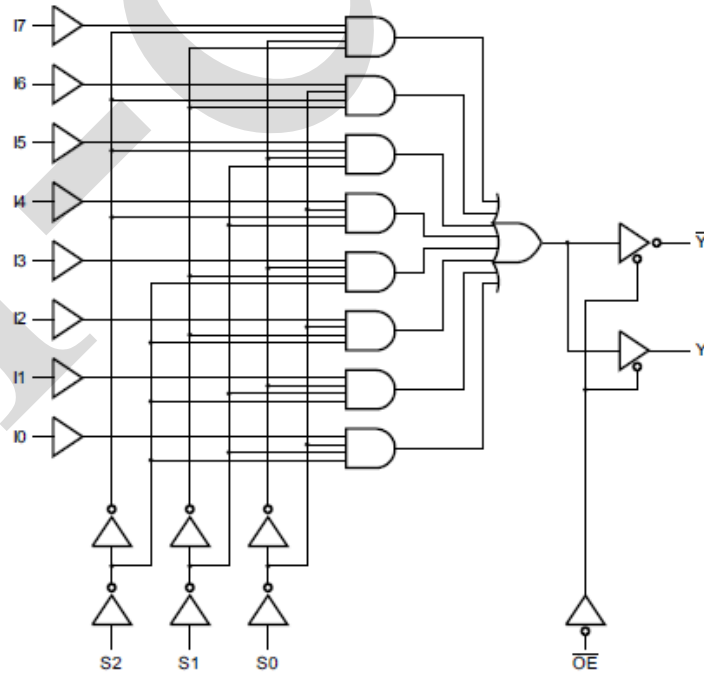
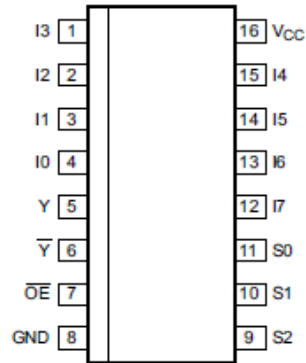


Figure 3. Logic diagram



2.2、Pin Configurations



2.3、Pin Description

Pin No.	Pin Name	Description
1	I3	data input
2	I2	data input
3	I1	data input
4	I0	data input
5	Y	multiplexer output
6	\bar{Y}	complementary multiplexer output
7	\bar{OE}	output enable input (active LOW)
8	GND	ground (0V)
9	S2	common data select input
10	S1	common data select input
11	S0	common data select input
12	I7	data input
13	I6	data input
14	I5	data input
15	I4	data input
16	V _{CC}	supply voltage



2.4、Function Table

Input												Output	
\bar{OE}	S2	S1	S0	I0	I1	I2	I3	I4	I5	I6	I7	\bar{Y}	Y
H	X	X	X	X	X	X	X	X	X	X	X	Z	Z
L	L	L	L	L	X	X	X	X	X	X	X	H	L
L	L	L	L	H	X	X	X	X	X	X	X	L	H
L	L	L	H	X	L	X	X	X	X	X	X	H	L
L	L	L	H	X	H	X	X	X	X	X	X	L	H
L	L	H	L	X	X	L	X	X	X	X	X	H	L
L	L	H	L	X	X	H	X	X	X	X	X	L	H
L	L	H	H	X	X	X	L	X	X	X	X	H	L
L	L	H	H	X	X	X	H	X	X	X	X	L	H
L	H	L	L	X	X	X	X	L	X	X	X	H	L
L	H	L	L	X	X	X	X	H	X	X	X	L	H
L	H	L	H	X	X	X	X	X	L	X	X	H	L
L	H	L	H	X	X	X	X	X	H	X	X	L	H
L	H	H	L	X	X	X	X	X	X	L	X	H	L
L	H	H	L	X	X	X	X	X	X	H	X	L	H
L	H	H	H	X	X	X	X	X	X	X	L	H	L
L	H	H	H	X	X	X	X	X	X	X	H	L	H

Note: H=HIGH voltage level; L=LOW voltage level; X=don't care; Z=high-impedance OFF-state.

3、Electrical Parameter

3.1、Absolute Maximum Ratings

(Voltages are referenced to GND (ground=0V), unless otherwise specified.)

Parameter	Symbol	Conditions	Min.	Max.	Unit
supply voltage	V_{CC}	-	-0.5	+7.0	V
input clamping current	I_{IK}	$V_I < -0.5V$ or $V_I > V_{CC}+0.5V$	-	± 20	mA
output clamping current	I_{OK}	$V_O < -0.5V$ or $V_O > V_{CC}+0.5V$	-	± 20	mA
output current	I_O	$V_O = -0.5V$ to $(V_{CC}+0.5V)$	-	± 25	mA
supply current	I_{CC}	-	-	+50	mA
ground current	I_{GND}	-	-50	-	mA
storage temperature	T_{stg}	-	-65	+150	$^{\circ}C$
total power dissipation	P_{tot}	-	-	500	mW
Soldering temperature	T_L	10s	DIP		$^{\circ}C$
			SOP/TSSOP		
			245		
			260		



3.2、Recommended Operating Conditions

Parameter	Symbol	Conditions	Min.	Typ.	Max.	Unit
AiP74H251						
supply voltage	V_{CC}	-	2.0	5.0	6.0	V
input voltage	V_I	-	0	-	V_{CC}	V
output voltage	V_O	-	0	-	V_{CC}	V
input transition rise and fall rate	$\Delta t/\Delta V$	$V_{CC}=2.0V$	-	-	625	ns/V
		$V_{CC}=4.5V$	-	1.67	139	ns/V
		$V_{CC}=6.0V$	-	-	83	ns/V
ambient temperature	T_{amb}	-	-40	-	+125	°C
AiP74HCT251						
supply voltage	V_{CC}	-	4.5	5.0	5.5	V
input voltage	V_I	-	0	-	V_{CC}	V
output voltage	V_O	-	0	-	V_{CC}	V
input transition rise and fall rate	$\Delta t/\Delta V$	$V_{CC}=4.5V$	-	1.67	139	ns/V
ambient temperature	T_{amb}	-	-40	-	+125	°C

3.3、Electrical Characteristics

3.3.1、DC Characteristics 1

($T_{amb}=25^{\circ}C$, voltages are referenced to GND (ground=0V), unless otherwise specified.)

Parameter	Symbol	Conditions	Min.	Typ.	Max.	Unit	
AiP74HC251							
HIGH-level input voltage	V_{IH}	$V_{CC}=2.0V$	1.5	1.2	-	V	
		$V_{CC}=4.5V$	3.15	2.4	-	V	
		$V_{CC}=6.0V$	4.2	3.2	-	V	
LOW-level input voltage	V_{IL}	$V_{CC}=2.0V$	-	0.8	0.5	V	
		$V_{CC}=4.5V$	-	2.1	1.35	V	
		$V_{CC}=6.0V$	-	2.8	1.8	V	
HIGH-level output voltage	V_{OH}	$V_I = V_{IH} \text{ or } V_{IL}$	$I_O=-20\mu A; V_{CC}=2.0V$	1.9	2.0	-	V
			$I_O=-20\mu A; V_{CC}=4.5V$	4.4	4.5	-	V
			$I_O=-20\mu A; V_{CC}=6.0V$	5.9	6.0	-	V
			$I_O=-4.0mA; V_{CC}=4.5V$	3.98	4.32	-	V
			$I_O=-5.2mA; V_{CC}=6.0V$	5.48	5.81	-	V
LOW-level output voltage	V_{OL}	$V_I = V_{IH} \text{ or } V_{IL}$	$I_O=20\mu A; V_{CC}=2.0V$	-	0	0.1	V
			$I_O=20\mu A; V_{CC}=4.5V$	-	0	0.1	V
			$I_O=20\mu A; V_{CC}=6.0V$	-	0	0.1	V
			$I_O=4.0mA; V_{CC}=4.5V$	-	0.15	0.26	V
			$I_O=5.2mA; V_{CC}=6.0V$	-	0.16	0.26	V
input leakage current	I_I	$V_I=V_{CC} \text{ or } GND; V_{CC}=6.0V$	-	-	± 1.0	μA	
OFF-state output current	I_{OZ}	$V_I=V_{IH} \text{ or } V_{IL}; V_O=V_{CC} \text{ or } GND; V_{CC}=6.0V$	-	-	± 1.0	μA	
supply current	I_{CC}	$V_I=V_{CC} \text{ or } GND; I_O=0A; V_{CC}=6.0V$	-	-	8.0	μA	



input capacitance	C_I	-	-	3.5	-	pF	
AiP74HCT251							
HIGH-level input voltage	V_{IH}	$V_{CC}=4.5V$ to $5.5V$	2.0	1.6	-	V	
LOW-level input voltage	V_{IL}	$V_{CC}=4.5V$ to $5.5V$	-	1.2	0.8	V	
HIGH-level output voltage	V_{OH}	$V_I = V_{IH}$ or V_{IL} ; $V_{CC}=4.5V$	$I_O=-20\mu A$	4.4	4.5	-	V
			$I_O=-4.0mA$	3.98	4.32	-	V
LOW-level output voltage	V_{OL}	$V_I = V_{IH}$ or V_{IL} ; $V_{CC}=4.5V$	$I_O=20\mu A$	-	0	0.1	V
			$I_O=4.0mA$	-	0.15	0.26	V
input leakage current	I_I	$V_I=V_{CC}$ or GND; $V_{CC}=5.5V$	-	-	± 1.0	μA	
OFF-state output current	I_{OZ}	$V_I=V_{IH}$ or V_{IL} ; $V_O=V_{CC}$ or GND; $V_{CC}=5.5V$	-	-	± 1.0	μA	
supply current	I_{CC}	$V_I=V_{CC}$ or GND; $I_O=0A$; $V_{CC}=5.5V$	-	-	8.0	μA	
additional supply current	ΔI_{CC}	$V_I=V_{CC}-2.1V$; other inputs at V_{CC} or GND; $I_O=0A$; $V_{CC}=4.5V$ to $5.5V$	per input pin; In inputs	-	-	360	μA
			per input pin; OE input	-	-	540	μA
			per input pin; Sn input	-	-	540	μA
input capacitance	C_I	-	-	3.5	-	pF	

3.3.2、DC Characteristics 2

($T_{amb}=-40^{\circ}C$ to $+85^{\circ}C$, voltages are referenced to GND (ground=0V), unless otherwise specified.)

Parameter	Symbol	Conditions	Min.	Typ.	Max.	Unit	
AiP74HC251							
HIGH-level input voltage	V_{IH}	$V_{CC}=2.0V$	1.5	-	-	V	
		$V_{CC}=4.5V$	3.15	-	-	V	
		$V_{CC}=6.0V$	4.2	-	-	V	
LOW-level input voltage	V_{IL}	$V_{CC}=2.0V$	-	-	0.5	V	
		$V_{CC}=4.5V$	-	-	1.35	V	
		$V_{CC}=6.0V$	-	-	1.8	V	
HIGH-level output voltage	V_{OH}	$V_I = V_{IH}$ or V_{IL}	$I_O=-20\mu A$; $V_{CC}=2.0V$	1.9	-	-	V
			$I_O=-20\mu A$; $V_{CC}=4.5V$	4.4	-	-	V
			$I_O=-20\mu A$; $V_{CC}=6.0V$	5.9	-	-	V
			$I_O=-4.0mA$; $V_{CC}=4.5V$	3.84	-	-	V
			$I_O=-5.2mA$; $V_{CC}=6.0V$	5.34	-	-	V
LOW-level output voltage	V_{OL}	$V_I = V_{IH}$ or V_{IL}	$I_O=20\mu A$; $V_{CC}=2.0V$	-	-	0.1	V
			$I_O=20\mu A$; $V_{CC}=4.5V$	-	-	0.1	V
			$I_O=20\mu A$; $V_{CC}=6.0V$	-	-	0.1	V
			$I_O=4.0mA$; $V_{CC}=4.5V$	-	-	0.33	V
			$I_O=5.2mA$; $V_{CC}=6.0V$	-	-	0.33	V
input leakage current	I_I	$V_I=V_{CC}$ or GND; $V_{CC}=6.0V$	-	-	± 1.0	μA	
OFF-state	I_{OZ}	$V_I=V_{IH}$ or V_{IL} ; $V_O=V_{CC}$ or GND; $V_{CC}=6.0V$	-	-	± 5.0	μA	



output current							
supply current	I_{CC}	$V_I=V_{CC}$ or GND; $I_O=0A$; $V_{CC}=6.0V$	-	-	80	uA	
AiP74HC251							
HIGH-level input voltage	V_{IH}	$V_{CC}=4.5V$ to $5.5V$	2.0	-	-	V	
LOW-level input voltage	V_{IL}	$V_{CC}=4.5V$ to $5.5V$	-	-	0.8	V	
HIGH-level output voltage	V_{OH}	$V_I = V_{IH}$ or V_{IL} ; $V_{CC}=4.5V$	$I_O=-20uA$	4.4	-	-	V
			$I_O=-4.0mA$	3.84	-	-	V
LOW-level output voltage	V_{OL}	$V_I = V_{IH}$ or V_{IL} ; $V_{CC}=4.5V$	$I_O=20uA$	-	-	0.1	V
			$I_O=4.0mA$	-	-	0.33	V
input leakage current	I_I	$V_I=V_{CC}$ or GND; $V_{CC}=5.5V$	-	-	± 1.0	uA	
OFF-state output current	I_{OZ}	$V_I=V_{IH}$ or V_{IL} ; $V_O=V_{CC}$ or GND; $V_{CC}=5.5V$	-	-	± 5.0	uA	
supply current	I_{CC}	$V_I=V_{CC}$ or GND; $I_O=0A$; $V_{CC}=5.5V$	-	-	80	uA	
additional supply current	ΔI_{CC}	$V_I=V_{CC}-2.1V$; other inputs at V_{CC} or GND; $I_O=0A$; $V_{CC}=4.5V$ to $5.5V$	per input pin; In inputs	-	-	450	uA
			per input pin; OE input	-	-	675	uA
			per input pin; Sn input	-	-	675	uA

3.3.3、DC Characteristics 3

($T_{amb}=-40^{\circ}C$ to $+125^{\circ}C$, voltages are referenced to GND (ground=0V), unless otherwise specified.)

Parameter	Symbol	Conditions	Min.	Typ.	Max.	Unit	
AiP74HC251							
HIGH-level input voltage	V_{IH}	$V_{CC}=2.0V$	1.5	-	-	V	
		$V_{CC}=4.5V$	3.15	-	-	V	
		$V_{CC}=6.0V$	4.2	-	-	V	
LOW-level input voltage	V_{IL}	$V_{CC}=2.0V$	-	-	0.5	V	
		$V_{CC}=4.5V$	-	-	1.35	V	
		$V_{CC}=6.0V$	-	-	1.8	V	
HIGH-level output voltage	V_{OH}	$V_I = V_{IH}$ or V_{IL}	$I_O=-20uA$; $V_{CC}=2.0V$	1.9	-	-	V
			$I_O=-20uA$; $V_{CC}=4.5V$	4.4	-	-	V
			$I_O=-20uA$; $V_{CC}=6.0V$	5.9	-	-	V
			$I_O=-4.0mA$; $V_{CC}=4.5V$	3.7	-	-	V
			$I_O=-5.2mA$; $V_{CC}=6.0V$	5.2	-	-	V
LOW-level output voltage	V_{OL}	$V_I = V_{IH}$ or V_{IL}	$I_O=20uA$; $V_{CC}=2.0V$	-	-	0.1	V
			$I_O=20uA$; $V_{CC}=4.5V$	-	-	0.1	V
			$I_O=20uA$; $V_{CC}=6.0V$	-	-	0.1	V
			$I_O=4.0mA$; $V_{CC}=4.5V$	-	-	0.4	V
			$I_O=5.2mA$; $V_{CC}=6.0V$	-	-	0.4	V
input leakage current	I_I	$V_I=V_{CC}$ or GND; $V_{CC}=6.0V$	-	-	± 1.0	uA	
OFF-state output current	I_{OZ}	$V_I=V_{IH}$ or V_{IL} ; $V_O=V_{CC}$ or GND; $V_{CC}=6.0V$	-	-	± 10	uA	



supply current	I_{CC}	$V_I=V_{CC}$ or GND; $I_O=0A$; $V_{CC}=6.0V$		-	-	160	uA
AiP74HC251							
HIGH-level input voltage	V_{IH}	$V_{CC}=4.5V$ to $5.5V$		2.0	-	-	V
LOW-level input voltage	V_{IL}	$V_{CC}=4.5V$ to $5.5V$		-	-	0.8	V
HIGH-level output voltage	V_{OH}	$V_I = V_{IH}$ or V_{IL} ; $V_{CC}=4.5V$	$I_O=-20uA$	4.4	-	-	V
			$I_O=-4.0mA$	3.7	-	-	V
LOW-level output voltage	V_{OL}	$V_I = V_{IH}$ or V_{IL} ; $V_{CC}=4.5V$	$I_O=20uA$	-	-	0.1	V
			$I_O=4.0mA$	-	-	0.4	V
input leakage current	I_I	$V_I=V_{CC}$ or GND; $V_{CC}=5.5V$		-	-	± 1.0	uA
OFF-state output current	I_{OZ}	$V_I=V_{IH}$ or V_{IL} ; $V_O=V_{CC}$ or GND; $V_{CC}=5.5V$		-	-	± 10	uA
supply current	I_{CC}	$V_I=V_{CC}$ or GND; $I_O=0A$; $V_{CC}=5.5V$		-	-	160	uA
additional supply current	ΔI_{CC}	$V_I=V_{CC}-2.1V$; other inputs at V_{CC} or GND; $I_O=0A$; $V_{CC}=4.5V$ to $5.5V$	per input pin; In inputs	-	-	490	uA
			per input pin; OE input	-	-	735	uA
			per input pin; Sn input	-	-	735	uA

3.3.4、AC Characteristics 1

($T_{amb}=25^{\circ}C$, GND =0V, $C_L=50pF$, unless otherwise specified.)

Parameter	Symbol	Conditions	Min.	Typ.	Max.	Unit	
AiP74HC251							
propagation delay	t_{pd}	In to Y; see Figure 5	$V_{CC}=2.0V$	-	50	170	ns
			$V_{CC}=4.5V$	-	18	34	ns
			$V_{CC}=5.0V$; $C_L=15pF$	-	15	-	ns
			$V_{CC}=6.0V$	-	14	29	ns
		In to \bar{Y} ; see Figure 5	$V_{CC}=2.0V$	-	55	175	ns
			$V_{CC}=4.5V$	-	20	35	ns
			$V_{CC}=5.0V$; $C_L=15pF$	-	17	-	ns
			$V_{CC}=6.0V$	-	16	30	ns
		Sn to Y; see Figure 6	$V_{CC}=2.0V$	-	66	205	ns
			$V_{CC}=4.5V$	-	24	41	ns
			$V_{CC}=5.0V$; $C_L=15pF$	-	20	-	ns
			$V_{CC}=6.0V$	-	19	35	ns
		Sn to \bar{Y} ; see Figure 6	$V_{CC}=2.0V$	-	69	205	ns
			$V_{CC}=4.5V$	-	25	41	ns
			$V_{CC}=5.0V$; $C_L=15pF$	-	21	-	ns
$V_{CC}=6.0V$	-		20	35	ns		
\bar{OE} to Y, \bar{Y} enable time	t_{en}	see Figure 6	$V_{CC}=2.0V$	-	36	140	ns
			$V_{CC}=4.5V$	-	13	28	ns
			$V_{CC}=6.0V$	-	10	24	ns
\bar{OE} to Y, \bar{Y} disable time	t_{dis}	see Figure 6	$V_{CC}=2.0V$	-	39	140	ns
			$V_{CC}=4.5V$	-	14	28	ns



			$V_{CC}=6.0V$	-	11	24	ns
transition time	t_t	Y, \bar{Y} ; see Figure 5	$V_{CC}=2.0V$	-	19	75	ns
			$V_{CC}=4.5V$	-	7	15	ns
			$V_{CC}=6.0V$	-	6	13	ns
power dissipation capacitance	C_{PD}	$C_L=50pF; f=1MHz; V_I=GND \text{ to } V_{CC}$		-	44	-	pF
AiP74HCT251							
propagation delay	t_{pd}	In to Y; see Figure 5	$V_{CC}=4.5V$	-	22	35	ns
			$V_{CC}=5.0V; C_L=15pF$	-	19	-	ns
		In to \bar{Y} ; see Figure 5	$V_{CC}=4.5V$	-	22	35	ns
			$V_{CC}=5.0V; C_L=15pF$	-	19	-	ns
		Sn to Y; see Figure 6	$V_{CC}=4.5V$	-	24	44	ns
			$V_{CC}=5.0V; C_L=15pF$	-	20	-	ns
Sn to \bar{Y} ; see Figure 6	$V_{CC}=4.5V$	-	25	44	ns		
	$V_{CC}=5.0V; C_L=15pF$	-	21	-	ns		
\bar{OE} to Y, \bar{Y} enable time	t_{en}	see Figure 6	$V_{CC}=4.5V$	-	13	28	ns
			$V_{CC}=5.0V; C_L=15pF$	-	13	-	ns
\bar{OE} to Y, \bar{Y} disable time	t_{dis}	see Figure 6	$V_{CC}=4.5V$	-	14	28	ns
			$V_{CC}=5.0V; C_L=15pF$	-	18	-	ns
transition time	t_t	Y, $\bar{Y}; V_{CC}=4.5V$; see Figure 5		-	7	15	ns
power dissipation capacitance	C_{PD}	$C_L=50pF; f=1MHz; V_I=GND \text{ to } V_{CC}-1.5V$		-	46	-	pF

Note:

[1] t_{pd} is the same as t_{PLH} and t_{PHL} .

[2] t_{en} is the same as t_{PZH} and t_{PZL} .

[3] t_{dis} is the same as t_{PLZ} and t_{PHZ} .

[4] t_t is the same as t_{THL} and t_{TLH} .

[5] C_{PD} is used to determine the dynamic power dissipation (P_D in uW).

$$P_D = C_{PD} \times V_{CC}^2 \times f_i \times N + \sum (C_L \times V_{CC}^2 \times f_o) \text{ where:}$$

f_i =input frequency in MHz;

f_o =output frequency in MHz;

C_L =output load capacitance in pF;

V_{CC} =supply voltage in V;

N =number of inputs switching;

$\sum (C_L \times V_{CC}^2 \times f_o)$ =sum of outputs.



3.3.5、AC Characteristics 2

($T_{amb}=-40^{\circ}\text{C}$ to $+85^{\circ}\text{C}$, $\text{GND}=0\text{V}$, $C_L=50\text{pF}$, unless otherwise specified.)

Parameter	Symbol	Conditions	Min.	Typ.	Max.	Unit	
AiP74HC251							
propagation delay	t_{pd}	In to Y; see Figure 5	$V_{CC}=2.0\text{V}$	-	-	215	ns
			$V_{CC}=4.5\text{V}$	-	-	43	ns
			$V_{CC}=6.0\text{V}$	-	-	37	ns
		In to \bar{Y} ; see Figure 5	$V_{CC}=2.0\text{V}$	-	-	220	ns
			$V_{CC}=4.5\text{V}$	-	-	44	ns
			$V_{CC}=6.0\text{V}$	-	-	37	ns
		Sn to Y; see Figure 6	$V_{CC}=2.0\text{V}$	-	-	255	ns
			$V_{CC}=4.5\text{V}$	-	-	51	ns
			$V_{CC}=6.0\text{V}$	-	-	43	ns
		Sn to \bar{Y} ; see Figure 6	$V_{CC}=2.0\text{V}$	-	-	255	ns
			$V_{CC}=4.5\text{V}$	-	-	51	ns
			$V_{CC}=6.0\text{V}$	-	-	43	ns
\bar{OE} to Y, \bar{Y} enable time	t_{en}	see Figure 6	$V_{CC}=2.0\text{V}$	-	-	175	ns
			$V_{CC}=4.5\text{V}$	-	-	35	ns
			$V_{CC}=6.0\text{V}$	-	-	30	ns
\bar{OE} to Y, \bar{Y} disable time	t_{dis}	see Figure 6	$V_{CC}=2.0\text{V}$	-	-	170	ns
			$V_{CC}=4.5\text{V}$	-	-	35	ns
			$V_{CC}=6.0\text{V}$	-	-	30	ns
transition time	t_t	Y, \bar{Y} ; see Figure 5	$V_{CC}=2.0\text{V}$	-	-	95	ns
			$V_{CC}=4.5\text{V}$	-	-	19	ns
			$V_{CC}=6.0\text{V}$	-	-	16	ns
AiP74HCT251							
propagation delay	t_{pd}	In to Y; see Figure 5	$V_{CC}=4.5\text{V}$	-	-	44	ns
		In to \bar{Y} ; see Figure 5	$V_{CC}=4.5\text{V}$	-	-	44	ns
		Sn to Y; see Figure 6	$V_{CC}=4.5\text{V}$	-	-	55	ns
		Sn to \bar{Y} ; see Figure 6	$V_{CC}=4.5\text{V}$	-	-	55	ns
\bar{OE} to Y, \bar{Y} enable time	t_{en}	see Figure 6	$V_{CC}=4.5\text{V}$	-	-	35	ns
\bar{OE} to Y, \bar{Y} disable time	t_{dis}	see Figure 6	$V_{CC}=4.5\text{V}$	-	-	35	ns
transition time	t_t	Y, \bar{Y} ; $V_{CC}=4.5\text{V}$; see Figure 5	-	-	19	ns	

Note:

- [1] t_{pd} is the same as t_{PLH} and t_{PHL} .
- [2] t_{en} is the same as t_{PZH} and t_{PZL} .
- [3] t_{dis} is the same as t_{PLZ} and t_{PHZ} .
- [4] t_t is the same as t_{THL} and t_{TLH} .



3.3.6. AC Characteristics 3

($T_{amb} = -40^{\circ}\text{C}$ to $+125^{\circ}\text{C}$, $GND = 0\text{V}$, $C_L = 50\text{pF}$, unless otherwise specified.)

Parameter	Symbol	Conditions	Min.	Typ.	Max.	Unit	
AiP74HC251							
propagation delay	t_{pd}	In to Y; see Figure 5	$V_{CC} = 2.0\text{V}$	-	-	255	ns
			$V_{CC} = 4.5\text{V}$	-	-	51	ns
			$V_{CC} = 6.0\text{V}$	-	-	43	ns
		In to \bar{Y} ; see Figure 5	$V_{CC} = 2.0\text{V}$	-	-	265	ns
			$V_{CC} = 4.5\text{V}$	-	-	53	ns
			$V_{CC} = 6.0\text{V}$	-	-	45	ns
		Sn to Y; see Figure 6	$V_{CC} = 2.0\text{V}$	-	-	310	ns
			$V_{CC} = 4.5\text{V}$	-	-	62	ns
			$V_{CC} = 6.0\text{V}$	-	-	53	ns
		Sn to \bar{Y} ; see Figure 6	$V_{CC} = 2.0\text{V}$	-	-	310	ns
			$V_{CC} = 4.5\text{V}$	-	-	62	ns
			$V_{CC} = 6.0\text{V}$	-	-	53	ns
\bar{OE} to Y, \bar{Y} enable time	t_{en}	see Figure 6	$V_{CC} = 2.0\text{V}$	-	-	210	ns
			$V_{CC} = 4.5\text{V}$	-	-	42	ns
			$V_{CC} = 6.0\text{V}$	-	-	36	ns
\bar{OE} to Y, \bar{Y} disable time	t_{dis}	see Figure 6	$V_{CC} = 2.0\text{V}$	-	-	210	ns
			$V_{CC} = 4.5\text{V}$	-	-	42	ns
			$V_{CC} = 6.0\text{V}$	-	-	36	ns
transition time	t_t	Y, \bar{Y} ; see Figure 5	$V_{CC} = 2.0\text{V}$	-	-	110	ns
			$V_{CC} = 4.5\text{V}$	-	-	22	ns
			$V_{CC} = 6.0\text{V}$	-	-	19	ns
AiP74HCT251							
propagation delay	t_{pd}	In to Y; see Figure 5	$V_{CC} = 4.5\text{V}$	-	-	53	ns
		In to \bar{Y} ; see Figure 5	$V_{CC} = 4.5\text{V}$	-	-	53	ns
		Sn to Y; see Figure 6	$V_{CC} = 4.5\text{V}$	-	-	66	ns
		Sn to \bar{Y} ; see Figure 6	$V_{CC} = 4.5\text{V}$	-	-	66	ns
\bar{OE} to Y, \bar{Y} enable time	t_{en}	see Figure 6	$V_{CC} = 4.5\text{V}$	-	-	42	ns
\bar{OE} to Y, \bar{Y} disable time	t_{dis}	see Figure 6	$V_{CC} = 4.5\text{V}$	-	-	42	ns
transition time	t_t	Y, \bar{Y} ; $V_{CC} = 4.5\text{V}$; see Figure 5		-	-	22	ns

Note:

- [1] t_{pd} is the same as t_{PLH} and t_{PHL} .
- [2] t_{en} is the same as t_{PZH} and t_{PZL} .
- [3] t_{dis} is the same as t_{PLZ} and t_{PHZ} .
- [4] t_t is the same as t_{THL} and t_{TLH} .



4、Testing Circuit

4.1、AC Testing Circuit

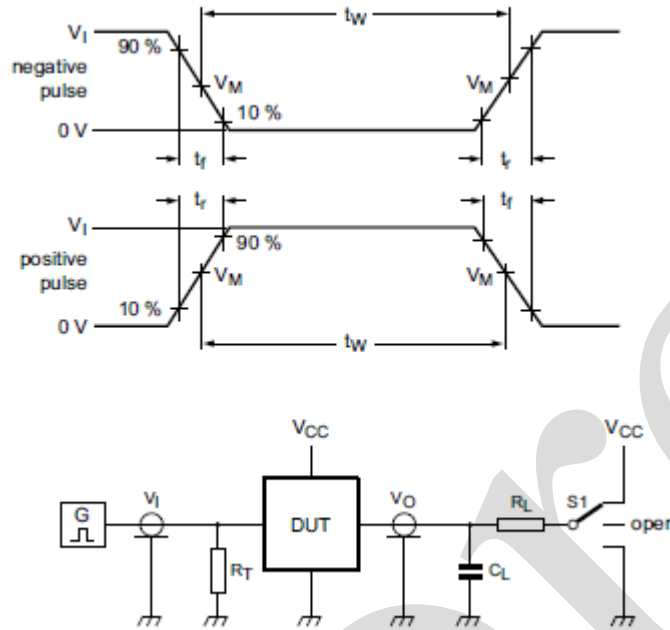


Figure 4. Test circuit for measuring switching times

Definitions for test circuit:

C_L =Load capacitance including jig and probe capacitance.

R_T =Termination resistance should be equal to the output impedance Z_o of the pulse generator.

R_L =Load resistance.

S1=Test selection switch.

4.2、AC Testing Waveforms

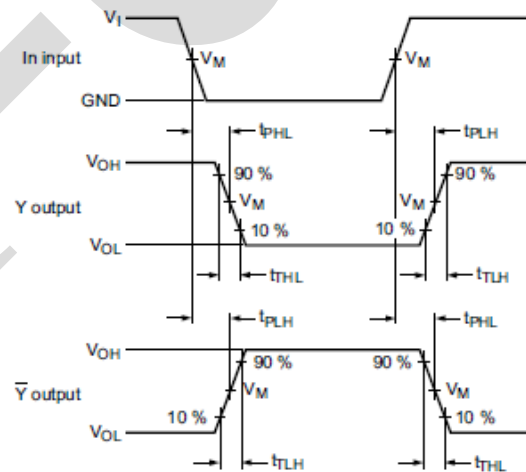


Figure 5. Propagation delay input (In) to output (Y, \bar{Y}) and the output (Y, \bar{Y}) transition time

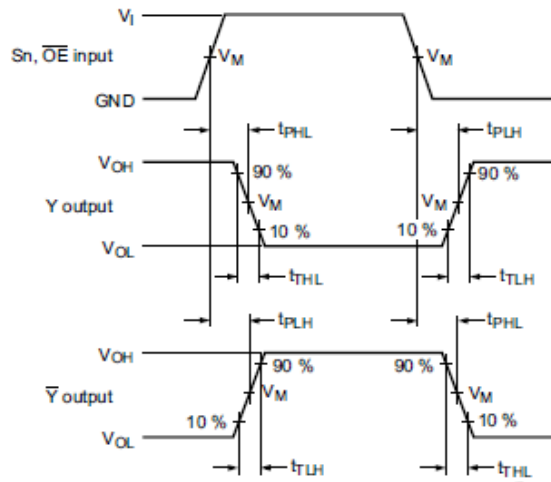


Figure 6. Propagation delay input (Sn, OE) to output (Y, Y-bar)

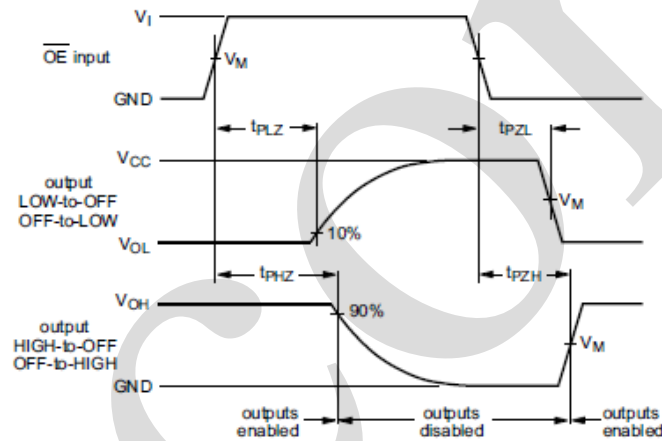


Figure 7. Enable and disable times

4.3. Measurement Points

Type	Input	Output
	V_M	V_M
AiP74HC251	$0.5 \times V_{CC}$	$0.5 \times V_{CC}$
AiP74HCT251	1.3V	1.3V

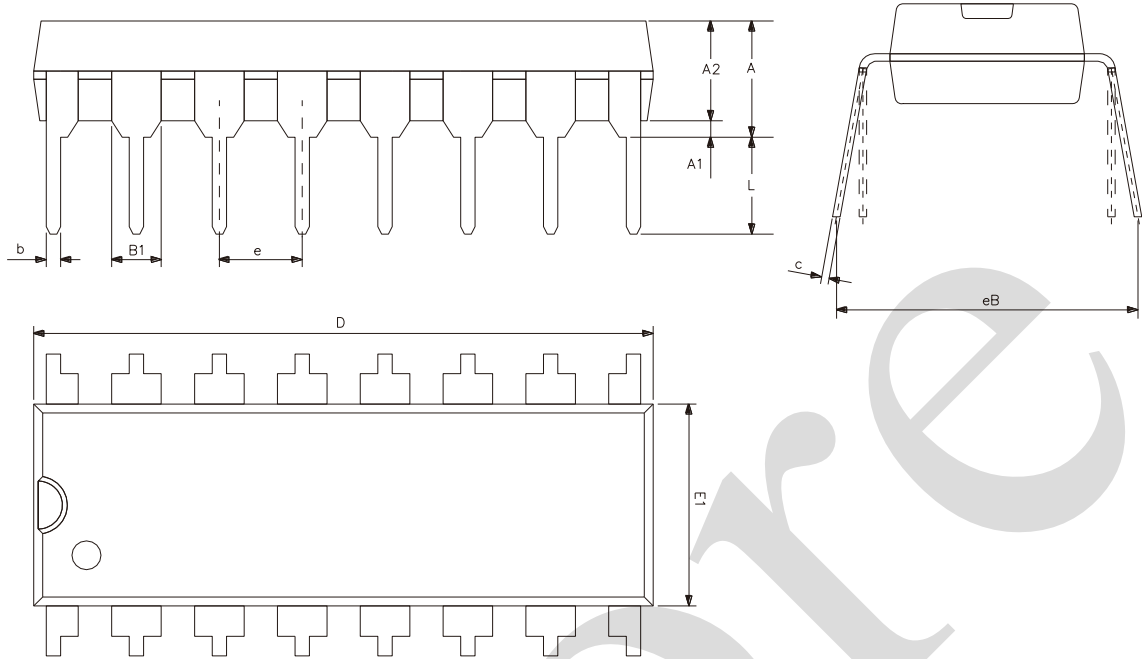
4.4. Test Data

Type	Input		Load		S1 position		
	V_I	t_r, t_f	C_L	R_L	t_{PHL}, t_{PLH}	t_{PZH}, t_{PHZ}	t_{PZL}, t_{PLZ}
AiP74HC251	V_{CC}	6ns	15pF, 50pF	1kΩ	open	GND	V_{CC}
AiP74HCT251	3V	6ns	15pF, 50pF	1kΩ	open	GND	V_{CC}



5、Package Information

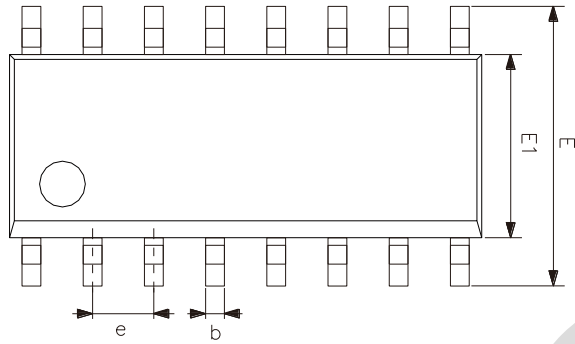
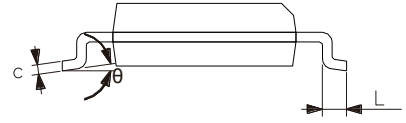
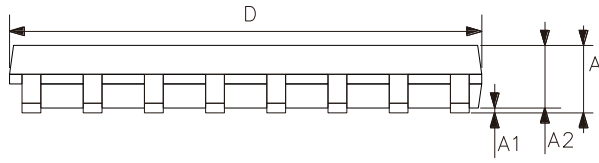
5.1、DIP16



Symbol	Dimensions (mm)	
	Min.	Max.
A2	3.20	3.60
A1	0.51	-
A	3.60	5.33
L	3.00	3.60
b	0.36	0.56
B1	1.52	
D	18.80	19.94
E1	6.20	6.60
e	2.54	
c	0.20	0.36
eB	7.62	9.30



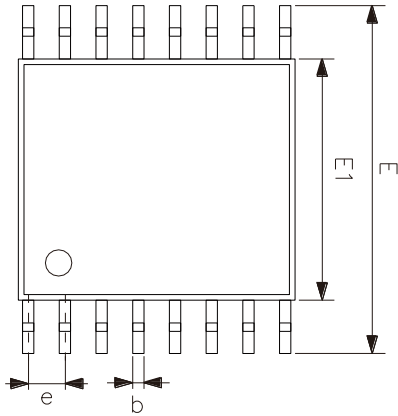
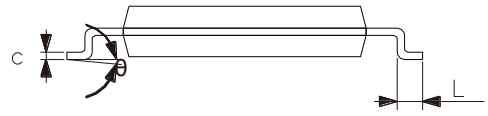
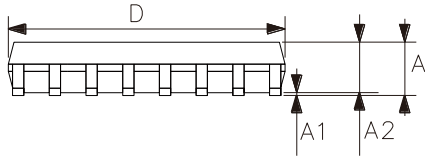
5.2、SOP16



Symbol	Dimensions (mm)	
	Min.	Max.
A	1.35	1.80
A1	0.10	0.25
A2	1.25	1.55
b	0.33	0.51
c	0.19	0.25
D	9.50	10.10
E	5.80	6.30
E1	3.70	4.10
e	1.27	
L	0.35	0.89
θ	0°	8°



5.3. TSSOP16



Symbol	Dimensions (mm)	
	Min.	Max.
A	-	1.20
A1	0.05	0.15
A2	0.80	1.05
b	0.19	0.30
c	0.09	0.20
D	4.90	5.10
E1	4.30	4.50
E	6.20	6.60
e	0.65	
L	0.45	0.75
θ	0°	8°



6、 Statements And Notes

6.1、 The name and content of Hazardous substances or Elements in the product

Part name	Hazardous substances or Elements									
	Lead and lead compounds	Mercury and mercury compounds	Cadmium and cadmium compounds	Hexavalent chromium compounds	Polybrominated biphenyls	Polybrominated biphenyl ethers	Dibutyl phthalate	Butylbenzyl phthalate	Di-2-ethylhexyl phthalate	Diisobutyl phthalate
Lead frame	○	○	○	○	○	○	○	○	○	○
Plastic resin	○	○	○	○	○	○	○	○	○	○
Chip	○	○	○	○	○	○	○	○	○	○
The lead	○	○	○	○	○	○	○	○	○	○
Plastic sheet installed	○	○	○	○	○	○	○	○	○	○
explanation	○: Indicates that the content of hazardous substances or elements in the detection limit of the following the SJ/T11363-2006 standard. ×: Indicates that the content of hazardous substances or elements exceeding the SJ/T11363-2006 Standard limit requirements.									

6.2、 Notes

We Recommend you to read this chapter carefully before using this product.

The information in this chapter is provided for reference only and i-Core disclaims any express or implied warranties, including but not limited to applicability, special application or non-infringement of third party rights.

This product is not suitable for critical equipment such as life-saving, life-sustaining or safety equipment. It is also not suitable for applications that may result in personal injury, death, or serious property or environmental damage due to product malfunction or failure. I-Core will not be liable for any damages incurred by the customers at their own risk for such applications.

The customer is responsible for conducting all necessary tests i-Core's application to avoid failure in the application or the application of the customer's third party users. I-Core does not accept any liability.

The Company reserves the right to change or improve the information published in this chapter at any time.

The information in this chapter are subject to change without notice. We recommend the customer to consult our sales staff before purchasing.

Please obtain related materials form i-Core's regular channels and we are not responsible for its content if it is provided by sources other than our company.

In case of any conflict between the Chinese and English version, the version is subject to the Chinese one.